

StyroPress®



Reduction of volume up to 98% by briquetting of EPS and XPS

- Full truck & container load with 24 t
- No operation staff required
- Low space required
- Density up to 700 kg/m³
- Continuous operation 24/7 possible



StyroPress®

Briquetting Press

Strautmann
Umwelttechnik

Your specialist for
Environmental Recycling
Technology

Electricity supply	Weight	Pressing force	Press weight	Briquette density	Length dimensions
400 V 50 Hz 12 kW	Approx. 2300 kg	250 kN	Approx. 25 t	Up to 700 kg/m ³	Approx. 84 x 92 mm, length variable

Fully automatic compaction system

- After filling in the material it will be shredded and carried into the integrated buffer and into the press chamber
- The compacted briquettes are continuously pushed out into the discharging system and can be taken there or be delivered directly in any appropriate way (bag, box, pallet etc.)

Volume reduction up to 98 %

- High pressing force with up to 250 kN (25 t)
- High area pressing with more than 3300 tons m² (~4600 psi)
- Compression achievement adjustable

Briquetting without additives

- Confident processing
- Genuine valuable materials

High briquette density

- Up to 700 kg/m³: Fully stretched truck/container load with 24 t

High performance

- Integrated shredder with max. 100kg hourly throughput (depending on material)
- Press performance max. 30 kg/h (depending on material)
- No material warming, Press can work 24/7

Continuous feeding

- Feeding during the continuous operation possible at any time
- Feeding by conveyors or suction systems possible

Large feed opening

- Easy material feeding due to large feeding opening of 1200 x 500 mm, located at a practical height (~1485 mm)

High ease of use

- SPS-control by Siemens
- Automatic operation, shredder tray can be pulled out for maintenance/service
- Low noise due to encapsulated machine concept, max. 78dB(A) at idle

High safety standard

- Manufactured in accordance to CE-guidelines

Universal applicable

- Compact concept and dimensions
- Low space required, approx. 5 m²
- Suitable for EPS, XPS and PU any density
- Plug and play-installation / 32A socket will do

Options / accessoires

- Buffer extendable up to a silo
- Table for presorting of the material
- Conveyor belts for continuous filling available
- Wing-Resolver for the integration in external processes
- Shredder unit can be left out (depending on the raw material)
- Discharging tunnel available, fitting to all disposing systems



Integrated shredder



StyroPress® with shredder

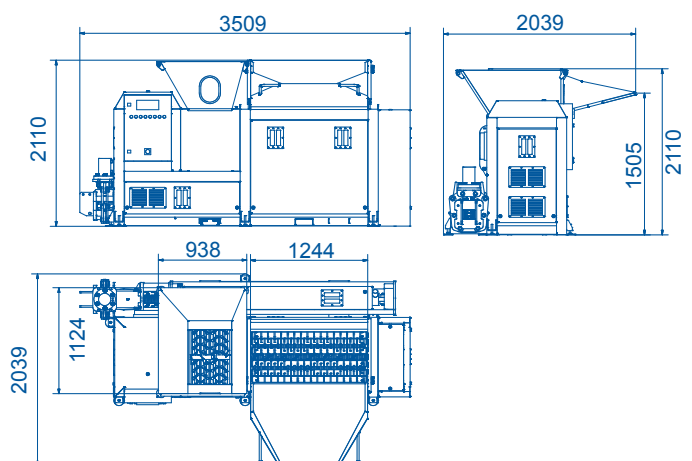


Discharging tunnel (optional)



StyroPress® without shredder

Dimensions



Strautmann Umwelttechnik GmbH

Auf dem Haarkamp 22
49219 Glandorf
Germany

Telefon +49 (0) 5426 80777-0
Telefax +49 (0) 5426 80777-20
E-Mail info@strautmann-umwelt.de